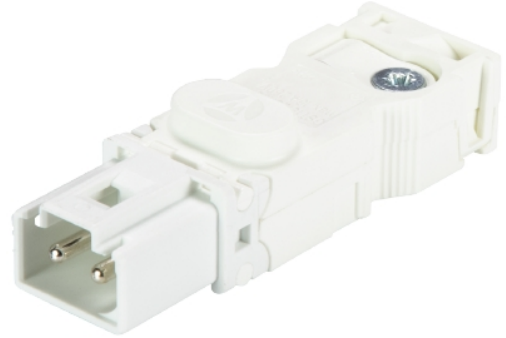


Data sheet

Commercial Art.No.: 91.922.3053.0

connector GST15I2S S1 ZR1 WS

gesis® MINI connector, number of poles 2, male, connection type screw connection, rated voltage 250 V, rated current 16 A, cable diameter 5.5 - 7.6 mm, color of coding/contact carrier white



Commercial Art.No.	91.922.3053.0
EAN	4015573916104
Order Unit	1

certificates / approvals



Technical data

general

rated current	16 A
rated voltage	250 V
rated impulse voltage	4 kV
strain relief	yes
pollution degree	2
mechanical coding	code 1
lockable	self-locking (unlocking by tool)
color of coding/ contact carrier	white
Pole codification	L, N
color of housing inclusive strain relief	white
RAL-Nummer Codierung/Kontakteinsatz	9016

connection data

cable diameter max.	7.6 mm
cable diameter min.	5.5 mm
connection cross section solid mm ² max.	2.5 mm ²
connection cross section solid mm ² min.	0.5 mm ²
connection cross section fine stranded mm ² max.	2.5 mm ²
connection cross section fine stranded mm ² min.	0.5 mm ²
terminations per pole	1
sheath strip length	19 mm
wire strip length	8 mm

model

model	male
connection type	screw connection
degree of protection (IP)	IP20

material

housing material	polyamide
halogen free	yes
contact material	CuZn
fire load	0 kWh/St
insulation components continuous temperature	100 °C
surface finish	silver-plated

dimensions

length	53.2 mm
width	17.7 mm
height	13.8 mm

classification

ECLASS 11	
ECLASS 8.1	27440605
ETIM 9.0	EC002560
ETIM 8.0	EC002560
ETIM 7.0	EC002560
ETIM 6.0	EC002560
ETIM 5.0	EC002560
ETIM 4.0	EC002560

product compliance

ROHS conformity status	compliant/exempted
ROHS exceptions	III-6(c)
REACH-SVHC conformity status	Duty-To-Declare
REACH-SVHC substances	Lead
REACH-SVHC CAS numbers	7439-92-1

Accessories

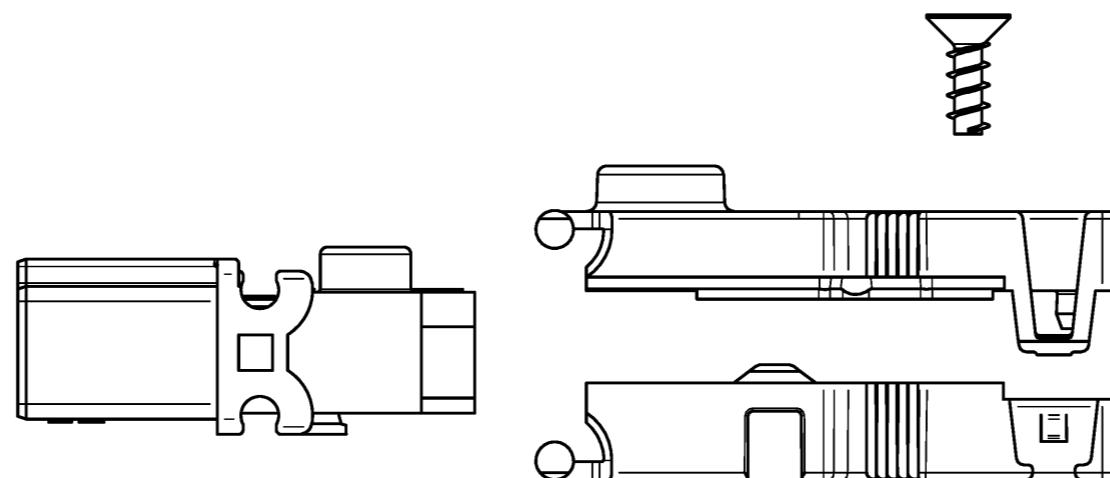
Commercial Art.No.:	Article-type description:	Description:

Lieferzustand
/delivery condition

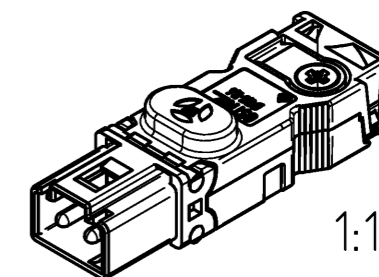
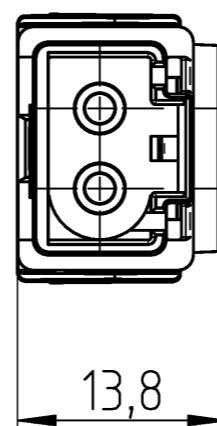
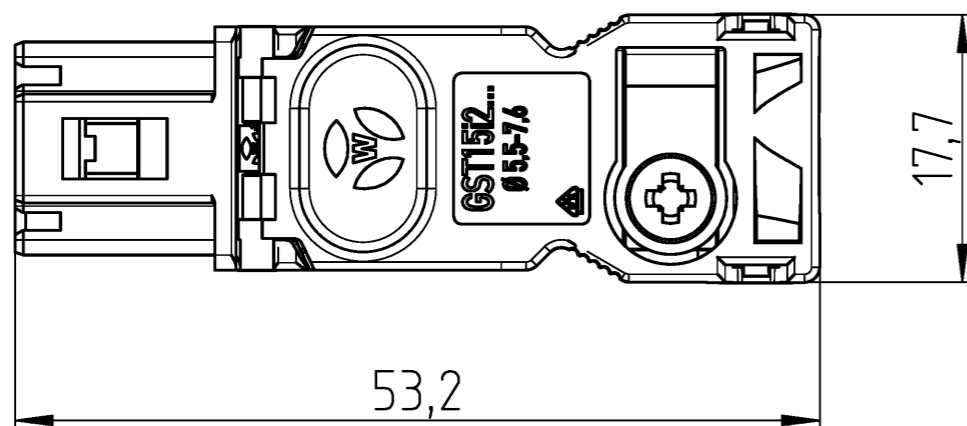
Alle Rechte vorbehalten
All rights reserved
Vertraulichkeitsklasse
Confidentiality Class: Vertraulich
Confidential

These dimensions will be especially checked at delivery
Only inspection dimensions
With /E marked dimensions are only valid for internal use

Diese Maße werden bei Abnahme besonders geprüft
Ausschließlich Prüfmaße
Mit /E gekennzeichnete Maße sind nur für interne Zwecke gültig



Ansicht im montierten Zustand
/view in assembled state



Teile-Nr. /part-no.	Farbe /colour
91.922.3053.0	weiß ähnl. RAL 9003 /white sim. RAL 9003
91.922.3053.1	schwarz ähnl. RAL 9005 /black sim. RAL 9005

Weitere Daten siehe KATALOG oder eKatalog
additional data see CATALOG or eCATALOG www.wieland-electric.com
eshop.wieland-electric.com

Tolerierung Size ISO 14405 © / Tolerance system Size ISO 14405 ©. (This ISO-standard describes the envelope principle. According to the envelope principle the deviations of form and parallelism are limited by the size tolerances).		ja/yes <input checked="" type="checkbox"/> Stoffverbots- und Deklarationsliste nach WN 5020.010 ist einzuhalten. Conformity with Wieland document WN 5020.010 e (list of prohibited / declarable hazardous substances) to be declared!	
Freitoleranz nach General tolerance		CAD - Zeichnung, keine manuellen Änderungen CAD - drawing, no manual modifications allowed	1. Verwendung: First Use:
Blatt: 1 von 1 Sheet: 1 of 1			
/		Werkstoff / Material	Tag/Date
/		Farbe /colour:	Name
/ Maßstab / Scale		siehe Tabelle /see table	gezeichnet drawn 09.10.2025 Göhl M.
/ 2:1		Elektronische Freigabe Electronic Release	Zeichnung Nr. / Drawing No.
/ Vol. mm ³ / fl./Srf. mm ²		Ersatz für / Replacement for:	T 91.922.3053.0 13K -
/		Type	Benennung/Title
/		Maße in mm / Dimensions are in mm	
Index Datum / Blatt Date / Sheet		wieland	
Änderung / Revision		STECKERT_M_ZUGENTL GST15I2SS1... (Netzanschluss /mains connection)	